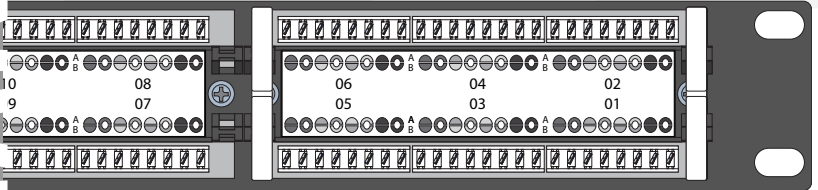
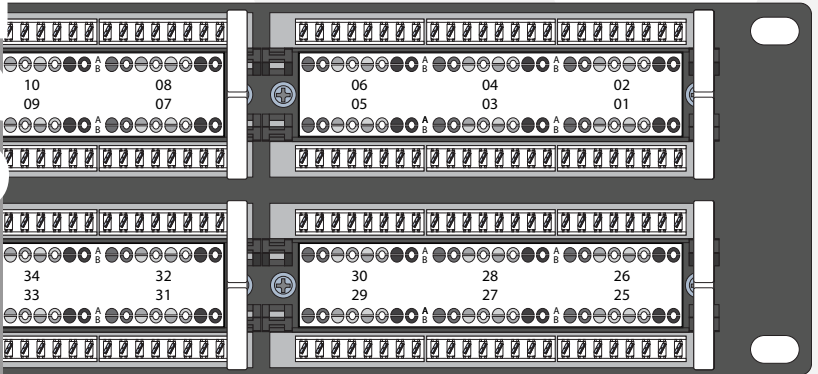


# USER MANUAL



NPP1U24



NPP2U48

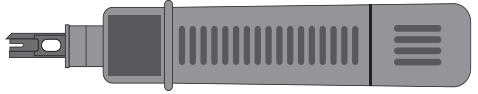
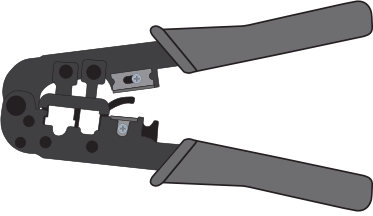
# Quick Installation Guide

Proper installation and termination ensure the correct operation of the patch panel.

## Tools Required (not included)

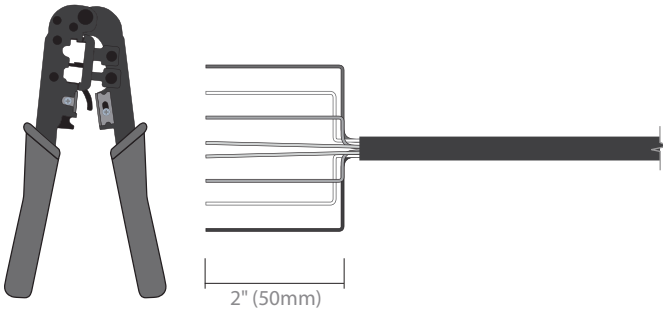
- RJ45 cable stripping tool

- 110 or Krone type Tool



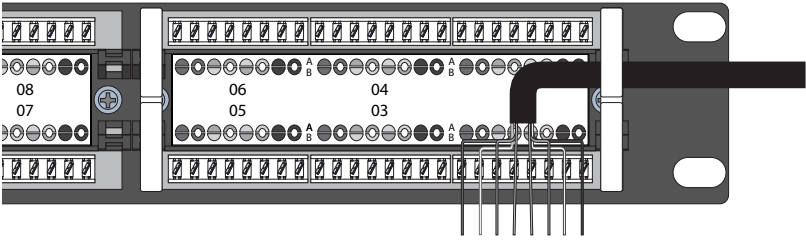
**NOTE:** It is recommended the Patch Panel be installed on the front or rear rails of a 19" rack during the wiring process.

1. Strip back approximately 2 inches (50mm) of cable jacket using a cable stripping tool and untwist the pairs.

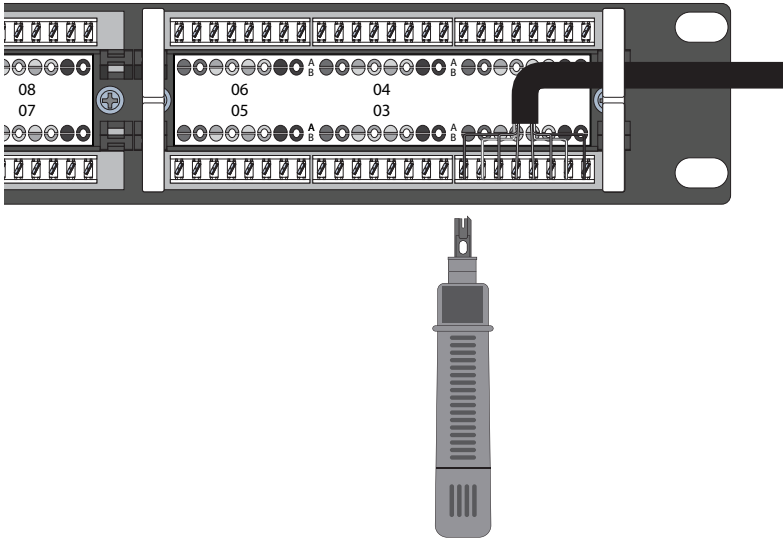


**NOTE:** Cat6 cable has a plastic spine that should be removed. Pull on the spine, fold the pairs back, then cut the spine as close to the cable end as possible.

2. Arrange the wires into the patch panel according to the wire scheme pinout you want to use (T568B or T568A).



3. Use a 110 or Krone type punch tool to secure each wire into the patch panel and terminate each wire carefully.



4. Repeat Steps 1-3 for each port

## Safety information

1. Do not install wire into a slot previously used for a larger gauge wire.
2. Do not install communications wiring during a lightning storm.
3. Do not install communications wiring in wet locations.
4. Do not touch uninsulated communications wiring or terminals unless it has been disconnected at the network interface.
5. Use caution when installing or modifying communication wiring.

# Accessories/Accesorios/Accessoires/Zubehör/Accessori/Accessoires/Accessórios

## English: Five Year Limited Warranty

**V7 Limited Manufacturer's Warranty** covers this Product against defects in materials or workmanship from the date of purchase for a period of sixty (60) months for parts and labor. Liability under this limited warranty shall in no event exceed the cost of replacement or the original cost of the product at the time of purchase. In the event of product discontinuance or unavailability wherein failure has occurred the product shall, at the sole discretion of Manufacturer, be replaced to the first purchaser with a substantially similar product of equal or lesser value or the first purchaser shall be provided with a refund equal to the original i.e. first purchaser purchase price. This limited warranty does not cover the repair of cracked, scratched, broken or modified plastic or other cosmetic damage; or parts that have been altered, defaced or removed. Also, it does not apply to repairs or replacement necessitated by any cause beyond the control of the Manufacturer or a servant or agent of the Manufacturer including, but not limited to, any malfunction, defects or failures which in the opinion of Manufacturer were caused by or resulting from unauthorized service or parts, improper maintenance, operation contrary to furnished instructions, shipping or transit accidents, modification or repair by the user, abuse, misuse, neglect, accident, fire, flood, or other acts of God, incorrect line voltage or normal wear and tear, or which did not exist at the time when the Product was purchased. This limited warranty does not apply to damage that occurs during unpacking, setup, or installation; removal of the product for repair; reinstallation of the product after repair, or shipping cost of the product for any purpose. There are no other expressed warranties, whether written or oral, other than this printed limited warranty. All implied warranties, including without limitation the implied warranties of merchantability or fitness for a particular purpose, are limited to the durations of this limited warranty. In no event shall V7 be liable for incidental or consequential damages of any nature whatsoever, including but not limited to lost profit or commercial loss, to the full extent those damages can be disclaimed by law. Some countries do not allow the exclusion or limitation of liability arising from implied warranties, or limitation of the duration of implied warranties, so the preceding limitations or exclusions may not apply to all purchasers. This limited warranty is subject to the laws of the relevant jurisdiction, being the country where the product is originally purchased. This limited warranty shall only apply to the extent permitted by applicable national legislation governing the sale of consumer goods. The rights and remedies that consumers enjoy under such consumer protection laws shall not be limited. This warranty is valid only in the country where the product is originally purchased. Additional information can be found at [www.V7-world.com](http://www.V7-world.com). Trade In Your Used Electronics: Go to [www.V7-world.com/environment](http://www.V7-world.com/environment) (USA only). You may execute this warranty where you purchased in accordance with the exchange policy of the establishment. At any time thereafter during the term of this warranty, please refer to the authorized distributor of your jurisdiction. Statement: This device complies with Part 15 of the FCC Rules. Operation is subject to the following two conditions: (1) This device may not cause harmful interference, and (2) This device must accept any interference received, including interference that may cause undesired operation. This equipment has been tested and found to comply with the limits of a Class B digital device, pursuant to Part 15 of the FCC Rules. These limits are designed to provide reasonable protection against harmful interference in a residential installation. This equipment generates, uses, and can radiate radio frequency energy and if not installed and used in accordance with the instructions, may cause harmful interference to radio communications. However, there is no guarantee that interference will not occur in a particular installation. If this equipment does cause harmful interference to radio or television reception, which can be determined by turning the equipment off and on, the user is encouraged to try to correct the interference by one or more of the following measures:



- Reorient or relocate the receiving antenna;
- Increase the separation between the equipment and receiver;
- Connect the equipment into an outlet on a circuit different from that to which the receiver is connected;
- Consult the dealer or an experienced radio/TV technician for help
- Changes or modifications not authorized by the party responsible for compliance could void the user's authority to operate this product



### Regulatory Information: Disposal of Waste Electrical and Electronic Equipment (WEEE)

The Waste Electrical and Electronic Equipment (WEEE) Directive aims to minimize the impact of electrical and electronic goods on the environment, by increasing re-use and recycling and by reducing the amount of WEEE going to landfill. The symbol on your V7 product or its packaging signifies that this product must be disposed separately from ordinary household wastes at its end of life. Please kindly be aware that this is your responsibility to dispose electronic equipment at recycling centers so as to help conserve natural resources.

Each country in the European Union should have its collection centers for electrical and electronic equipment recycling. For information about your recycling drop off area, please contact your related electrical and electronic equipment waste management authority or the retailer where you bought the product.

## List of Authorized Distributors

USA  
Ingram Micro Inc.  
3351 Michelson Dr. Suite 100  
Irvine, CA 92612, USA

Model

---

Date of Purchase

---



A large, light gray, stylized letter 'V' logo that serves as a background for the page. The 'V' is composed of two thick, slightly curved strokes that meet at a sharp point at the bottom. The top of the 'V' is open, with the two strokes extending towards the top corners of the page.

[www.V7-world.com](http://www.V7-world.com)